

thor

Double Fryer



Sturdy stainless steel countertop 8Ltr electric double fryer features separate tanks with independent controls preventing cross contamination, is equipped with multiple safety features and is designed with drain tap, stainless steel lids and v shaped oil pan result in easy cleaning. features programmable digital timer with audible alarm. Heavy duty stainless construction and capable of high use.

Product Features

- Stainless steel #430 construction
- Removable electrical head with safety switch
- 2x8L capacity
- Stainless steel lid
- A drain tap for easy to cleaning
- Non-slip rubber feet
- 2pcs High quality stainless steel baskets
- ON/OFF switch to control main power
- Indicator light to show working
- Thermostatic control and thermal cut out device
- Capillary thermostat with a temperature range of 60-190°C

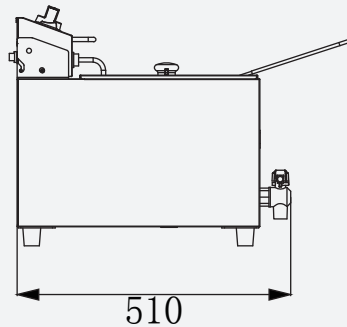
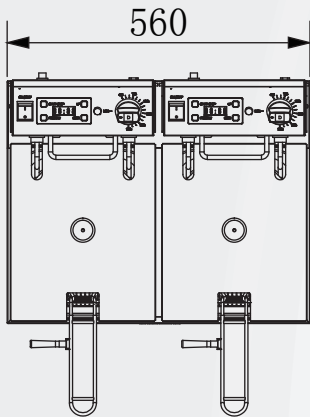
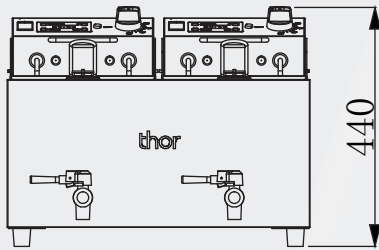
Double Fryer



c



Double Fryer



thor

Product Code

Capacity/
Cooking Area

Electrical

Product Overall Dimensions (mm/inch)

TR01940T-N

8Ltrs/16Lbs

220-240 V, 50 Hz, 2x2.9 kW 12.6 A

Width
560/22.0

Depth
510/20.0

Height
440/17.3

The dimensions given are reference dimensions only. Due to a continuous program of product improvement, Middleby Food Service Equipment reserves the right to make product changes without notice.

This document contains information that is confidential and proprietary to Middleby Food Service Equipment and shall not be reproduced or transferred to other documents or disclosed to others or used for any purpose other than that for which it was obtained without the expressed written consent of Middleby Food Service Equipment.

Middleby Food Service Equipment (Zhuhai) Co., Ltd.
NO.36,FengShou Road, PingSha Town Zhuhai,
Guangdong China
Tel:+86(0756)7267080, 7267067

e: Sales@middleby.com.cn
www.middleby.com.cn