

# thor

## Single Fryer



Powerful 5Ltr electric single fryer with additional safety features and stainless lids for commercial use, suitable for counter top operation and is supplied with thermostat control, thermal cut out device, safety switch. Features programmable digital timer with audible alarm. Made in stainless steel construction with flat based Oil pan and non-slip rubber feet, offers high performance, excellent efficiency and is easy to operate.

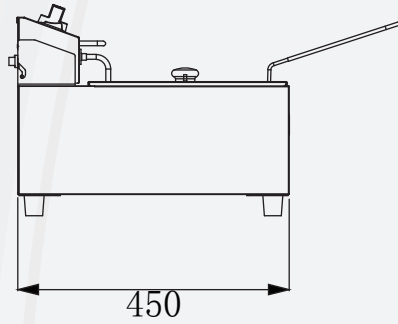
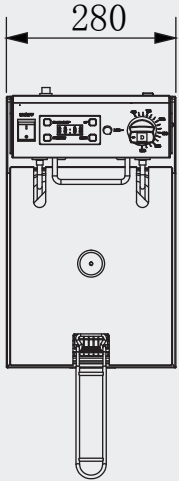
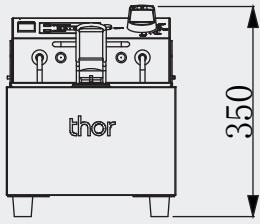
## Product Features

- Thermal cut out device for safe operation
- Digital timer with alarm function
- ON/OFF switch to control main power
- Indicator light to show working
- Independently controlled detachable head unit
- Adjustable thermostat control(60 to 190°C)

## Single Fryer



# Single Fryer



**thor**

Product Code	Capacity/ Cooking Area	Electrical	Product Overall Dimensions (mm/inch)		
			Width	Depth	Height
TR01840T-N	5Ltrs/10Lbs	220-240 V, 50 Hz, 2.2 kW 9.6 A	280/11.0	450/17.7	350/13.8
TR01845T-N	5Ltrs/10Lbs	220-240 V, 50 Hz, 2.8 kW 12.2 A	280/11.0	450/17.7	350/13.8

The dimensions given are reference dimensions only. Due to a continuous program of product improvement, Middleby Food Service Equipment reserves the right to make product changes without notice.

This document contains information that is confidential and proprietary to Middleby Food Service Equipment and shall not be reproduced or transferred to other documents or disclosed to others or used for any purpose other than that for which it was obtained without the expressed written consent of Middleby Food Service Equipment.

Middleby Food Service Equipment (Zhuhai) Co., Ltd.  
 NO.36,FengShou Road, PingSha Town Zhuhai,  
 Guangdong China  
 Tel:+86(0756)7267080, 7267067

e: Sales@middleby.com.cn  
 www.middleby.com.cn