

# thor

## Stock Pot



Thor Gas Range answers the needs of modern, busy catering establishments for reliable, well-built equipment that offers flexibility, performance, style and value for money. Thor equipment has been designed with safety, ease of operation and performance as paramount. Thor has a stylish and robust modular design, constructed of high quality brushed stainless steel, large "cool to touch" dials, large heavy duty adjustable feet and easy to clean and remove accessories.

The Thor stock pot burner is another useful addition to the Thor range of gas cooking equipment. A large, high-powered gas burner provides excellent performance for your cooking needs. Heavy duty in construction the stock pot burner offers an independent burner for large stocks, sautéing, and heating needs allowing your other open burners in your kitchen to be utilised for your smaller volumes and menu needs.

The Thor stock pot burner is designed for the most demanding foodservice applications and delivers years of maintenance free operation.

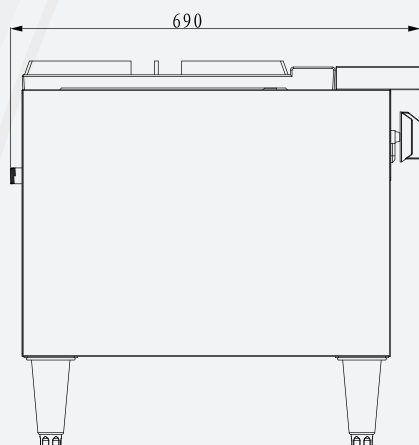
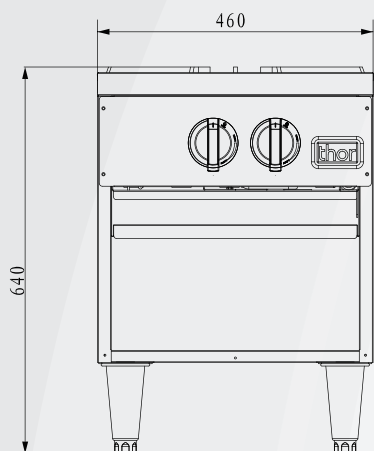
## Product Features

- High performance 86MJ/Hr two-piece ring-type cast iron burner provides maximum cooking performance.
- Heavy-duty large one-piece cast iron grate .
- Standing pilot for easy ignition.
- Safety control valve
- Cool to the touch stainless steel bull nose front provides knob protection and comfortable work zone.
- Removable crumb tray for easy cleaning.
- Heavy-duty 6" legs with a 1-1/2" adjustment.
- Stainless steel construction

## Gas Stock Pot



# Gas Stock Pot



**thor**

| Product Code | Open Burners | Capacity/<br>Cooking Area   | Btu/hr  |         | Product Overall Dimensions (mm/inch) |          |          |
|--------------|--------------|-----------------------------|---------|---------|--------------------------------------|----------|----------|
|              |              |                             | NAT     | LP      | Width                                | Depth    | Height   |
| TR-SP18F     | 2            | 460X460mm<br>18.1 " X18.1 " | 86MJ/Hr | 86MJ/Hr | 460/18.1                             | 690/27.2 | 640/25.6 |

- Grate Dimension  
520 mm x 460 mm

- Burners  
Open burners-86MJ/Hr

- Gas connection  
3/4 male, all units supplied with convertible  
Natural and LP gas regulator

- Net weight 41.5kg

- Packing data  
520 mm width x 740 mm depth x 665 mm height  
Gross weight 62kg

The dimensions given are reference dimensions only. Due to a continuous program of product improvement, Middleby Food Service Equipment reserves the right to make product changes without notice.

This document contains information that is confidential and proprietary to Middleby Food Service Equipment and shall not be reproduced or transferred to other documents or disclosed to others or used for any purpose other than that for which it was obtained without the expressed written consent of Middleby Food Service Equipment.

Middleby Food Service Equipment (Zhuhai) Co., Ltd.

NO.36,FengShou Road, PingSha Town Zhuhai,  
Guangdong China  
Tel:+86(0756)7267080, 7267067

e: Sales@middleby.com.cn  
www.middleby.com.cn